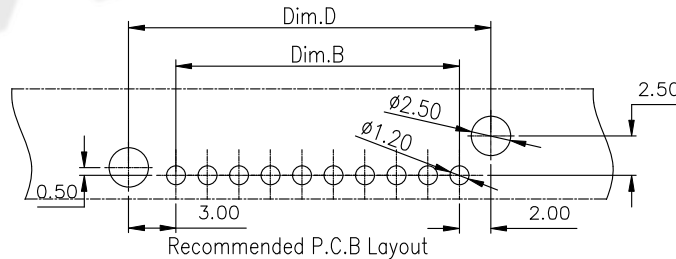
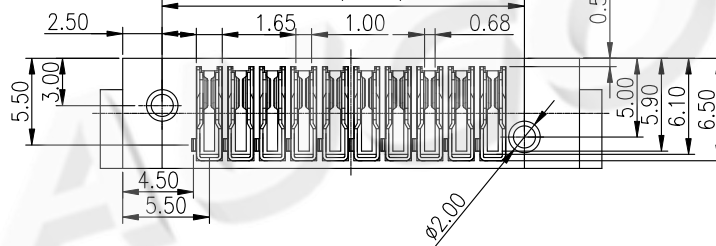
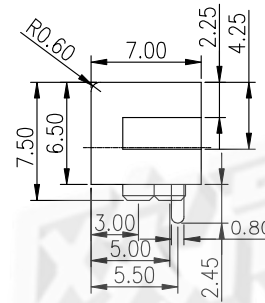
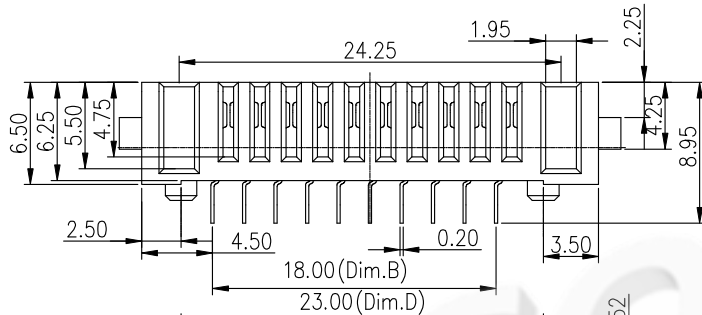
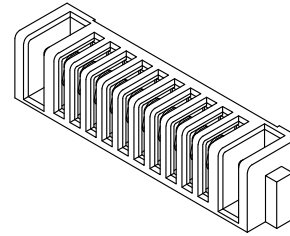
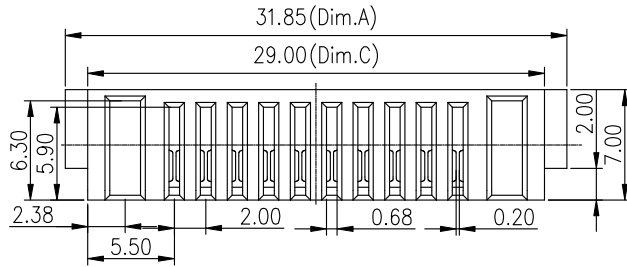


Rohs



REV.	DESCRIPTION	DRAW.	DATE.

No.of Pins	Dimension			
	DIM.A	DIM.B	DIM.C	DIM.D
03	17.85	4.00	15.00	9.00
04	19.85	6.00	17.00	11.00
05	21.85	8.00	19.00	13.00
06	23.85	10.00	21.00	15.00
07	25.85	12.00	23.00	17.00
08	27.85	14.00	25.00	19.00
09	29.85	16.00	27.00	21.00
10	31.85	18.00	29.00	23.00
11	33.85	20.00	31.00	25.00
12	35.85	22.00	33.00	27.00

Material:
 Insulator : NYLON 9T (UL94V-0)
 Contact : Phosphor Bronze
 Contact Plated : Gold over Nickel or Tin
 Specification:
 Current Rating : 5A
 Instant Current : 7A
 Voltage Rating : 30V
 Contact Resistance : 30m Ω
 Insulation Resistance : 100M Ω
 Dielectric Voltage : 500V
 Operating Temperature : -25°~85°

AUGO

AUGO ELECTRONICS CO.,LTD.

COPYRIGHT RESERVED, PLEASE DO NOT COPY.

REV:	01
SIZE:	A4
SCALE: 1:1	UNIT: mm
SHEET: 1/1	

UNLESS OTHERWISE SPECIFIED, TOLERANCE:	
X.	±0.20
X.x	±0.15
X.xx	±0.10
ANGULAR	±2°

TITLE:	BATTERY FEMALE 2.0PITCH BOARD TO BOARD CONNECTOR
PART NO.:	AUGO-A01F-C

DESIGN	G.C.CHEN	DATE	
DRAWING	Y.C.ZHANG	DATE	
CHECK	D.J.WANG	DATE	
SCALE	1:1	PAGE	1 OF 1