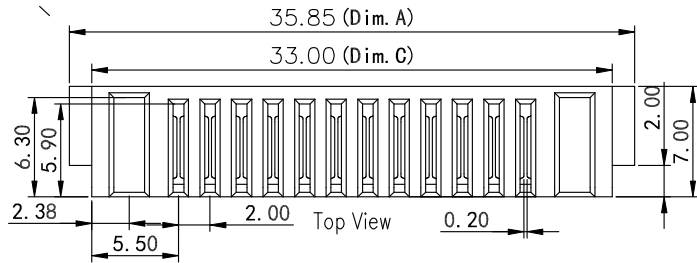
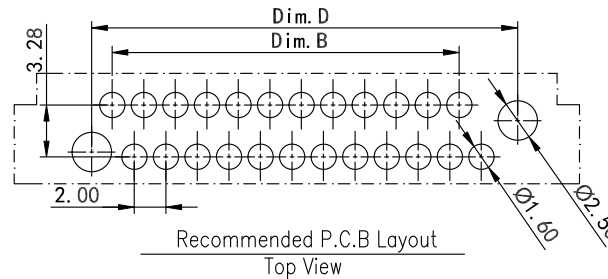
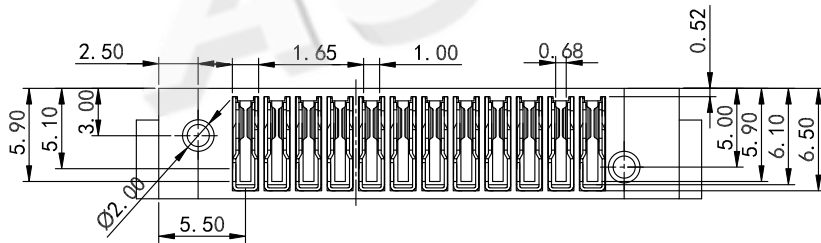
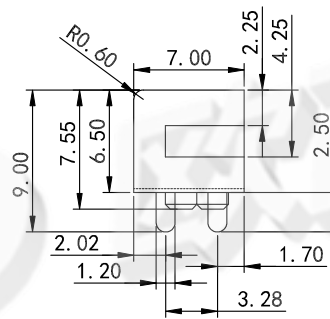
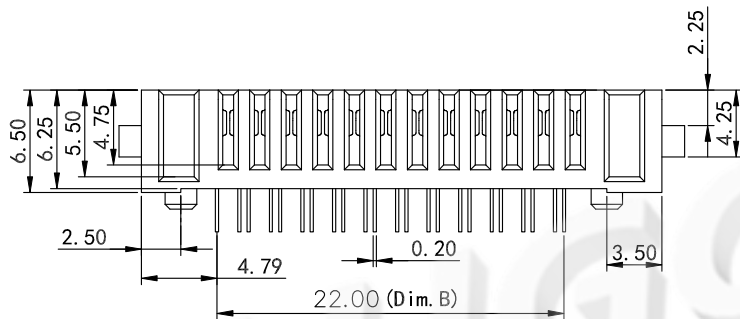


Rohs

REV.	DESCRIPTION	DRAW.	DATE.



No.of Pins	Dimension			
	DIM.A	DIM.B	DIM.C	DIM.D
4	19.85	17.00	6.00	11.00
5	21.85	19.00	8.00	13.00
6	23.85	21.00	10.00	15.00
7	25.85	23.00	12.00	17.00
8	27.85	25.00	14.00	19.00
9	29.85	27.00	16.00	21.00
10	31.85	29.00	18.00	23.00
11	33.85	31.00	20.00	25.00
12	33.85	33.00	22.00	27.00



Material:  
 Insulator : LCP (UL94V-0)  
 Contact : Phosphor Bronze  
 Contact Plated : Gold over Nickel or Tin  
 Specification:  
 Current Rating : 10A/PIN  
 Voltage Rating : 20V  
 Contact Resistance : 30m Ω  
 Insulation Resistance : 100M Ω  
 Dielectric Voltage : 500V  
 Operating Temperature : -40°~105°

**AUGO**

AUGO ELECTRONICS CO.,LTD.

COPYRIGHT RESERVED,PLEASE DO NOT COPY.

REV:	01	UNLESS OTHERWISE SPECIFIED,TOLERANCE:	TITLE:	BATTERY FEMALE 2.0PITCH BOARD TO BOARD CONNECTOR	DESIGN	G.C.CHEN	DATE		
SIZE:	A4				X.	±0.20	DRAWING	Y.C.ZHANG	DATE
SCALE: 1:1	UNIT: mm	X.x	±0.15	PART NO:	AUGO-A08F-H1-A	CHECK	D.J.WANG	DATE	
SHEET: 1/1		X.xx	±0.10			SCALE	1:1	PAGE	1 OF 1
		ANGULAR	±2°						